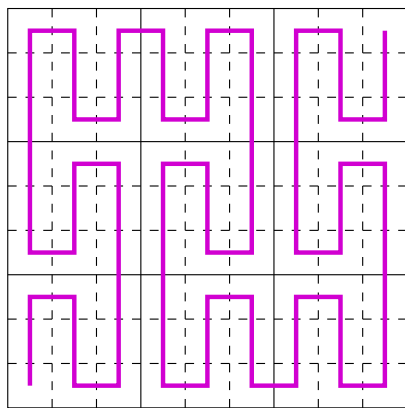
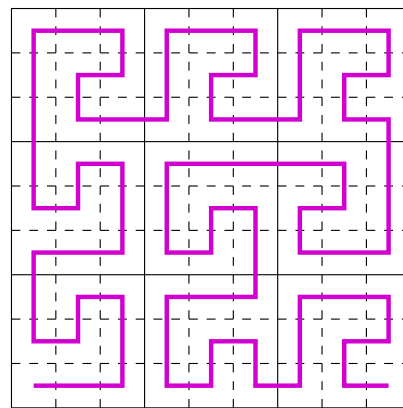


Algorithms of Scientific Computing (Algorithmen des Wissenschaftlichen Rechnens)

Handling of the Peano Curve – Solution



(a) Peano curve



(b) Meander-type Peano curve

Abbildung 1: Two Peano-style space filling curves

Exercise 1: Grammars for Peano curves

The Peano curve from figure 1a can be constructed by the following grammar:

- Nonterminals: $\{P, Q, R, S\}$, Startsymbol P
- Terminals: $\{\uparrow, \downarrow, \leftarrow, \rightarrow\}$
- Productions:

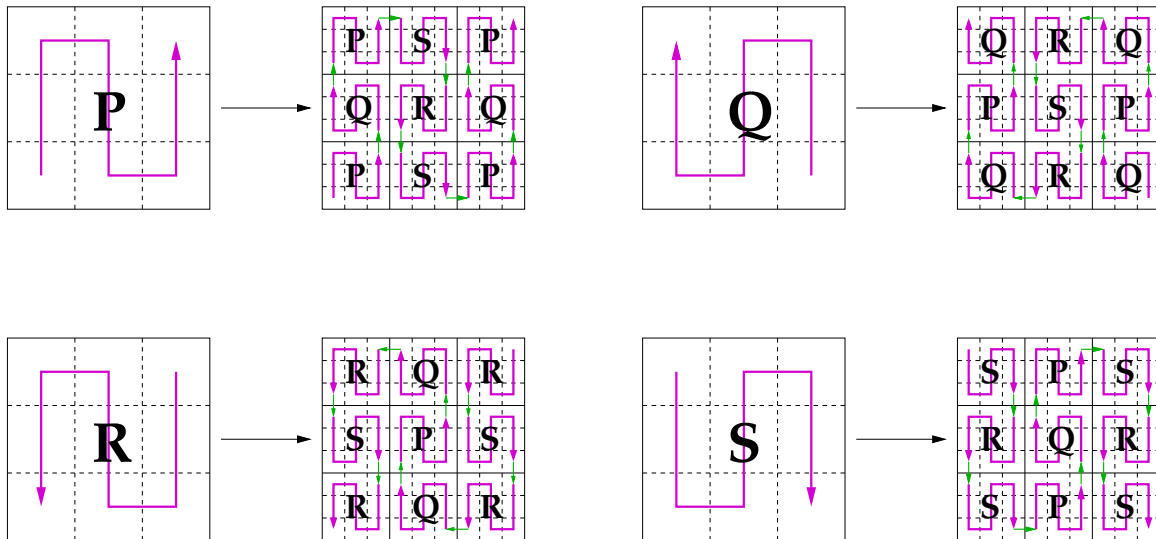


Abbildung 2: Relation between grammar and construction of the Peano curve

$$\begin{aligned}
 P &\leftarrow P \uparrow Q \uparrow P \rightarrow S \downarrow R \downarrow S \rightarrow P \uparrow Q \uparrow P \\
 Q &\leftarrow Q \uparrow P \uparrow Q \leftarrow R \downarrow S \downarrow R \leftarrow Q \uparrow P \uparrow Q \\
 R &\leftarrow R \downarrow S \downarrow R \leftarrow Q \uparrow P \uparrow Q \leftarrow R \downarrow S \downarrow R \\
 S &\leftarrow S \downarrow R \downarrow S \rightarrow P \uparrow Q \uparrow P \rightarrow S \downarrow R \downarrow S
 \end{aligned}$$

The derivation of the grammar from the construction principle of the curve is shown in figure 2. Note that the patterns P and R as well as the patterns Q and S only differ in the traversal direction.

For the meander-type Peano curve (figure 1b) we get the following grammar:

- Nonterminals: $\{M, N, L, W\}$, Startsymbol M
- Terminals: $\{\uparrow, \downarrow, \leftarrow, \rightarrow\}$
- Productions:

$$\begin{aligned}
 M &\leftarrow N \uparrow N \uparrow M \rightarrow M \rightarrow M \downarrow W \leftarrow L \downarrow L \rightarrow M \\
 N &\leftarrow M \rightarrow M \rightarrow N \uparrow N \uparrow N \leftarrow L \downarrow W \leftarrow W \uparrow N \\
 L &\leftarrow W \leftarrow W \leftarrow L \downarrow L \downarrow L \rightarrow N \uparrow M \rightarrow M \downarrow L \\
 W &\leftarrow L \downarrow L \downarrow W \leftarrow W \leftarrow W \uparrow M \rightarrow N \uparrow N \leftarrow W
 \end{aligned}$$

The relation between grammar and construction is shown in figure 3. This time we don't need the traversal direction to distinguish between the four patterns.

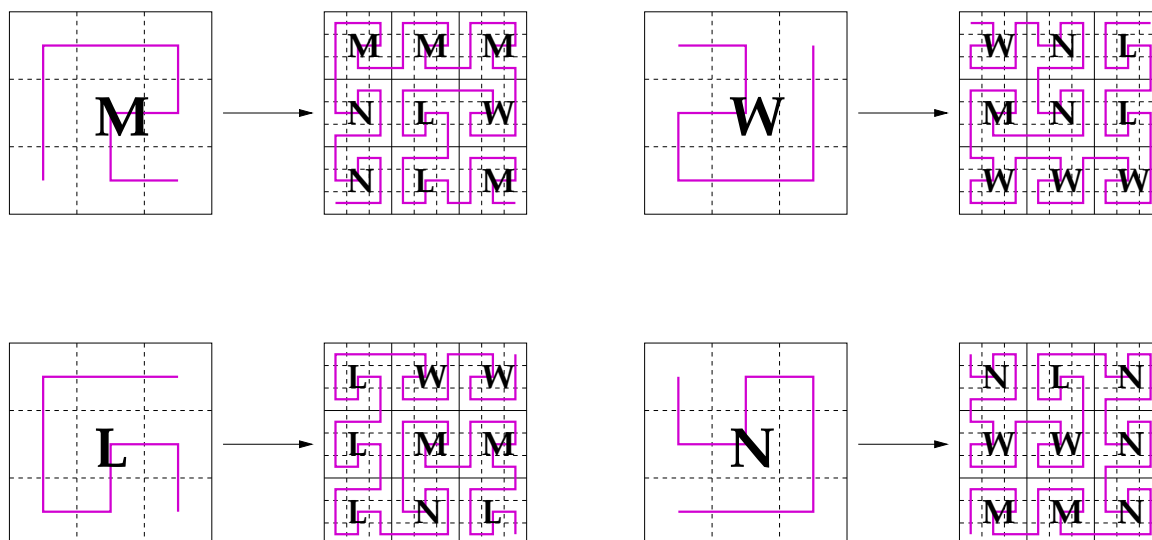


Abbildung 3: Relation between grammar and construction of the Peano curve

Excercise 2

The Maple-programm which implements the grammars for drawing the curves can be found in the Maple-worksheets `regularPeano.mw` and `meanderPeano.mw`.

Excercise 3: Real Turtle for the Hilbert Curve

The grammar from the lecture can be directly converted to a "real Turtle graphics"-grammar: We use the same symbols but change the global movement commands into local rotation and movement commands. For this approach the turtle needs to be in a specific orientation at the beginning and the end of the steps of a pattern. So, we can't avoid that it turns several times on the same spot before doing the next step.

We can use the following approach to solve this problem: We distinguish the cases by the edge over which the turtle exits the subsquare. It enters the subsquare always over the same edge, since we only consider the local subproblem, where the turtle needs to traverse the current subsquare, independent of the actual global orientation of this subsquare. (see figure 4)

Basically we only get three cases, since we can leave the subsquare through the edge straight ahead, through the one to the left or through the one to the right. However, each of these cases is further separated into two cases, since it is important if we enter the subsquare on the left-hand or on the right-hand side. This gives us six cases in total, which are shown in figure 4.

Let us define now the symbols for the grammar:

- Nonterminals: $\{H, L, B, E, R, T\}$, Startsymbol H

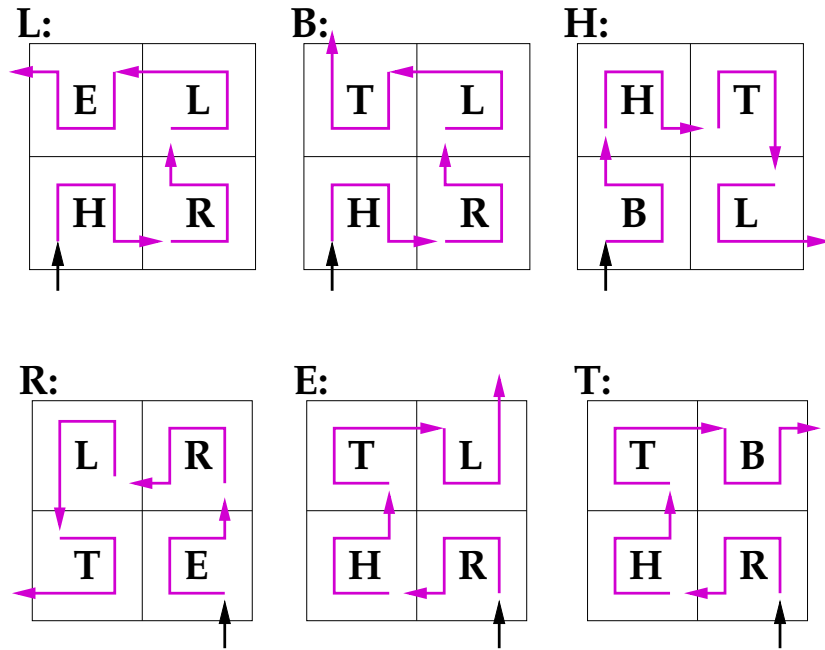


Abbildung 4: Relation between grammar and construction of the Hilbert curve

- Terminals: $\{\uparrow, \curvearrowleft, \curvearrowright\}$

The signs represent the actions "one step ahead", "turn to the left" and "turn to the right". For finding the productions we need to map the nonterminal symbols appropriately to the patterns.

Version 1

In Version 1 the patterns include always the step to the next subsquare. So, we get the following productions:

$H \leftarrow BHTL$	$H \leftarrow$	$\uparrow \curvearrowright \uparrow \curvearrowright \uparrow \curvearrowleft \uparrow$
$B \leftarrow HRLT$	$B \leftarrow$	$\curvearrowright \uparrow \curvearrowleft \uparrow \curvearrowleft \uparrow \curvearrowright \uparrow$
$L \leftarrow HRLE$	$L \leftarrow$	$\curvearrowright \uparrow \curvearrowleft \uparrow \curvearrowleft \uparrow \uparrow$
$E \leftarrow RHTL$	$E \leftarrow$	$\curvearrowleft \uparrow \curvearrowright \uparrow \curvearrowright \uparrow \curvearrowleft \uparrow$
$T \leftarrow RHTB$	$T \leftarrow$	$\curvearrowleft \uparrow \curvearrowright \uparrow \curvearrowright \uparrow \uparrow$
$R \leftarrow ERLT$	$R \leftarrow$	$\uparrow \curvearrowleft \uparrow \curvearrowleft \uparrow \curvearrowright \uparrow$

As usual we need to constrict the production rules:

We are only allowed to replace all nonterminals at one time and, during one replacement process, we may only use either the left (recursive decent) or the right (recursion abortion) production rules.

The resulting Maple-program can be found in the worksheet `realturtle_hilbert.mw`.

Version 2

In version 1 we notice that the last step of a terminal production is always a step forward, which is the step to the next subsquare. We can extract this step from the patterns and insert them into the non-terminal productions:

$$\begin{array}{ll}
 H \leftarrow B \uparrow H \uparrow T \uparrow L & H \leftarrow \uparrow \curvearrowright \uparrow \curvearrowright \uparrow \curvearrowright \uparrow \curvearrowright \\
 B \leftarrow H \uparrow R \uparrow L \uparrow T & B \leftarrow \curvearrowright \uparrow \curvearrowright \uparrow \curvearrowright \uparrow \curvearrowright \\
 L \leftarrow H \uparrow R \uparrow L \uparrow E & L \leftarrow \curvearrowright \uparrow \curvearrowright \uparrow \curvearrowright \uparrow \curvearrowright \\
 E \leftarrow R \uparrow H \uparrow T \uparrow L & E \leftarrow \curvearrowright \uparrow \curvearrowright \uparrow \curvearrowright \uparrow \curvearrowright \\
 T \leftarrow R \uparrow H \uparrow T \uparrow B & T \leftarrow \curvearrowright \uparrow \curvearrowright \uparrow \curvearrowright \uparrow \curvearrowright \\
 R \leftarrow E \uparrow R \uparrow L \uparrow T & R \leftarrow \uparrow \curvearrowright \uparrow \curvearrowright \uparrow \curvearrowright \uparrow \curvearrowright
 \end{array}$$

Here the same constrictions for the production rules as in version 1 hold. From this productions you can easily see that two rotations may never appear consecutively, since the terminal productions do not contain consecutive rotations and the non-terminal productions are always separated by forward steps.

The resulting Maple-program can be found in the worksheet `realturtle_hilbert1.mw`.

Version 3

The non-terminal productions of version 2 show a similar structure as the basic patterns from the beginning. I.e. if we drop the non-terminal symbols we get almost the atomic traversal pattern (i.e. "north", "south", "west", "east"), but only described by forward steps. If we try to map the needed rotations to the non-terminal symbols, we see that H and T must describe a rotation to the right, while L and R describe a rotation to the left.

By this we can retrieve the following productions (with ϵ -productions) für B und E verwenden:

$$\begin{array}{ll}
 H \leftarrow B \uparrow H \uparrow T \uparrow L & H \leftarrow \curvearrowright \\
 B \leftarrow H \uparrow R \uparrow L \uparrow T & B \leftarrow \epsilon \\
 L \leftarrow H \uparrow R \uparrow L \uparrow E & L \leftarrow \curvearrowleft \\
 E \leftarrow R \uparrow H \uparrow T \uparrow L & E \leftarrow \epsilon \\
 T \leftarrow R \uparrow H \uparrow T \uparrow B & T \leftarrow \curvearrowright \\
 R \leftarrow E \uparrow R \uparrow L \uparrow T & R \leftarrow \curvearrowleft
 \end{array}$$

Again the same constrictions hold as in the versions 1 and 2.

The resulting Maple-program can be found in the worksheet `realturtle_hilbert2.mw`.